

TITAN RANGE - Fixed Width Arms

CHOOSE YOUR TITAN WHEEL CLAMP FROM THE CHART BELOW:

Model Number	TT155/D	168/D	170/D	180/F	195/D	195/S	SW195/F	210/DF	COS 230/FD
Typical Application	Trailer Tents or Medium Trailers	Boat Trailers Small Cars and Trailers	Caravans Small Cars and Trailers	Caravans and Trailers	Trailers	Caravans Cars and Trailers	Caravans With low Wheel arch	Caravans Cars and Trailers	Caravans Cars and Trailers
Tyre/Wheel Size	5.00 x 10 5.20 x 10	145 R10 145 R12 145/70 R13 155/70 R12	145 155 R13	165 R13	185/60 R12	155 165 175 R13,14,15	155 165 175 R13,14,15	175 185 R13,14,15	195 205 R14,15
Wheel Trim Type	No Trim	No Trim	No Trim	No Trim	No Trim	Flat Trim or Alloy Wheel	Bulbous Trim or Low Wheel Arch	Inset wheel Flat Trim Alloy Wheel	Inset Wheel Flat Trim Alloy Wheel
Product Weight (without packaging)	12.4kg	12.8kg	14kg	14.3kg	14.4kg	14.3kg	14.6kg	15kg	15.4kg



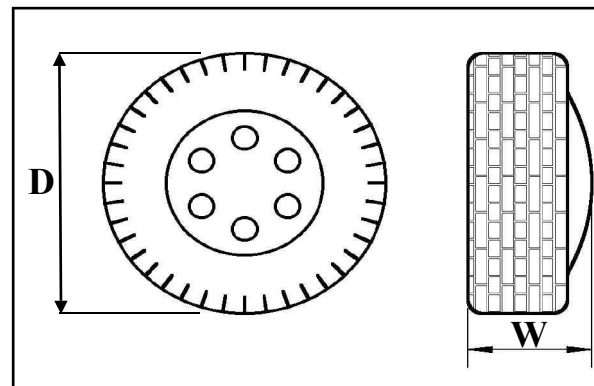
CENTAUR RANGE - Adjustable for Width and Diameter

STANDARD CENTAUR - CA2000

Product Weight (without packaging) = 18.8kg

D = MAX - 640MM (25 1/4")
MIN - 525MM (20 3/4")

W = MAX - 220MM (8 3/4")
MIN - 140MM (5 1/2")



COMMERCIAL CENTAUR - CA2000C

Product Weight (without packaging) = 20kg

D = MAX - 760MM (30")
MIN - 640MM (25 1/4")

W = MAX - 260MM (10")
MIN - 175MM (7")

BULLDOG SECURITY PRODUCTS LIMITED

Units 1 - 4 Stretton Road, Much Wenlock, Shropshire, TF13 6DH. Tel: 01952 728171 Fax: 01952 728117. sales@bulldogsecure.com www.bulldogsecure.com